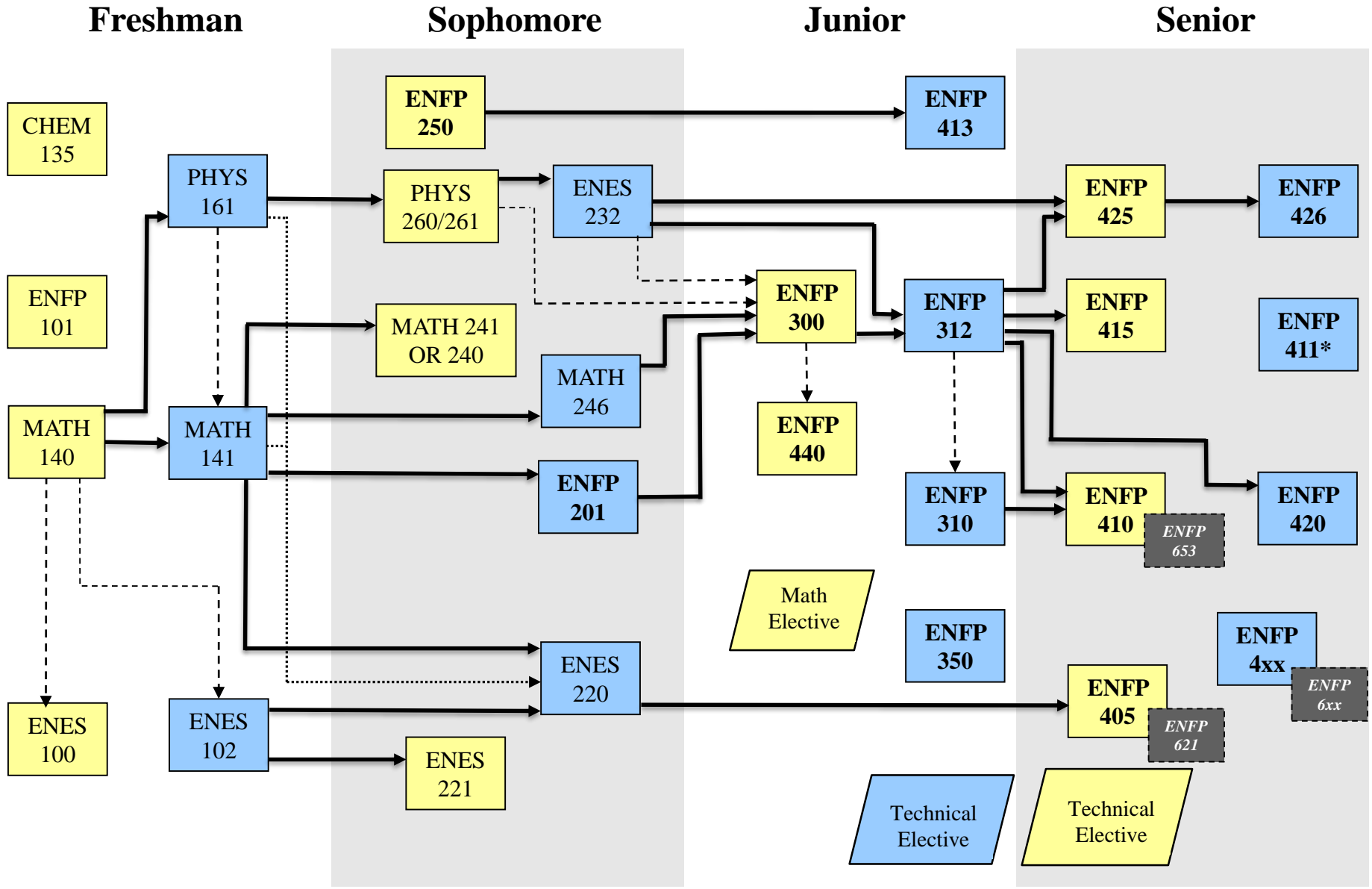


# Fire Protection Engineering Curriculum Flow Chart (Effective Fall 2019)



**Legend:**   
 - - - - = Co-requisite   
 ······ = Combined Pre-Requisite   
 ———> = Pre-requisite   
 [Dashed Box] = BS/Masters Option   
 [Parallelogram] = Choose with Advisor   
 [Yellow Box] = Fall Semester   
 [Light Blue Box] = Spring Semester   
 \*Senior Capstone- To be taken final spring term.