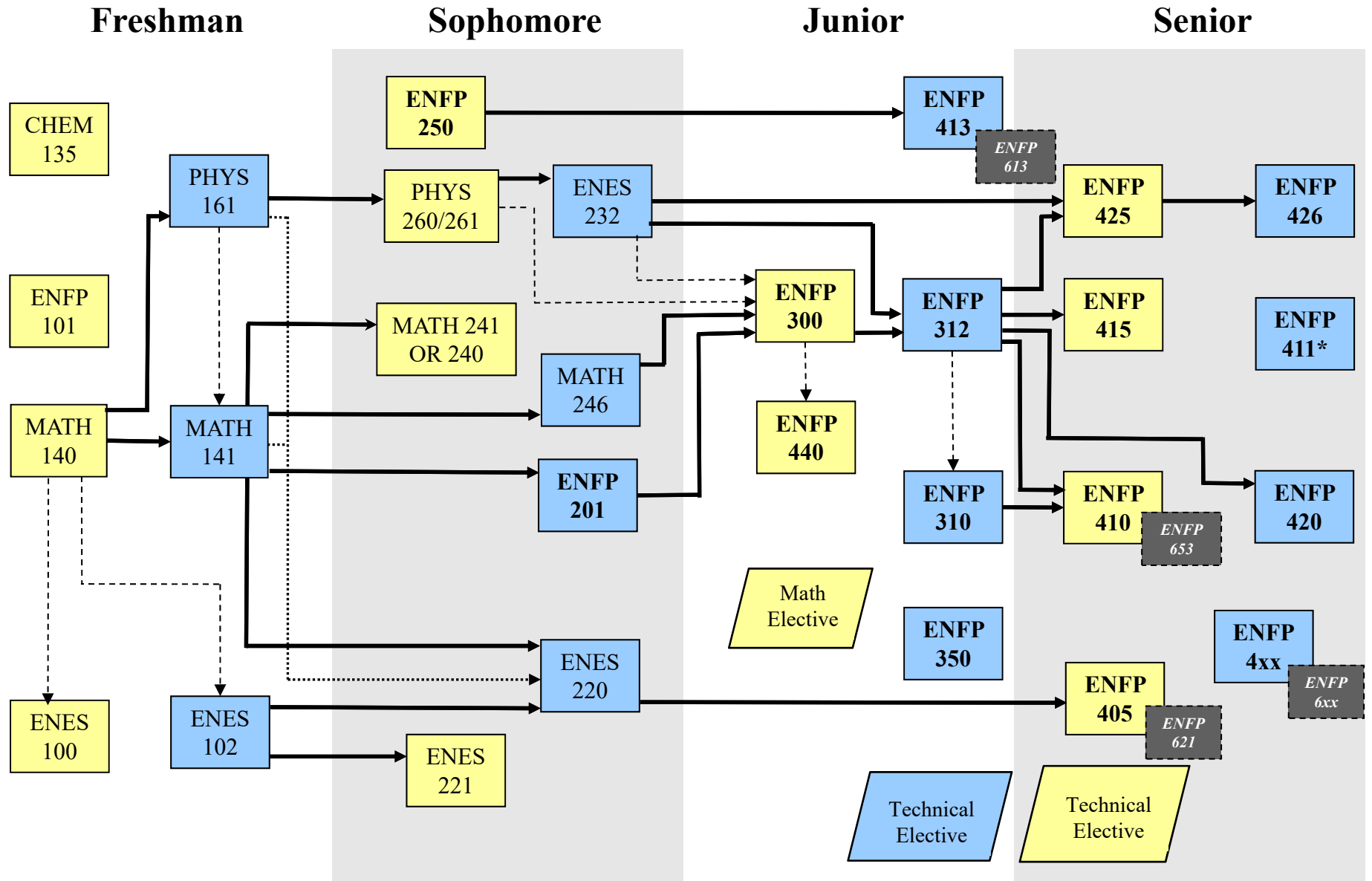


Fire Protection Engineering Curriculum Flow Chart (Effective Fall 2019)



Legend: - - - - = Co-requisite ······ = Combined Pre-Requisite
 ————— = Pre-requisite

[Gray Dashed Box] = BS/Masters Option *Senior Capstone- To be taken final spring term.
 [Yellow Parallelogram] = Choose with Advisor [Yellow Box] = Fall Semester [Blue Box] = Spring Semester